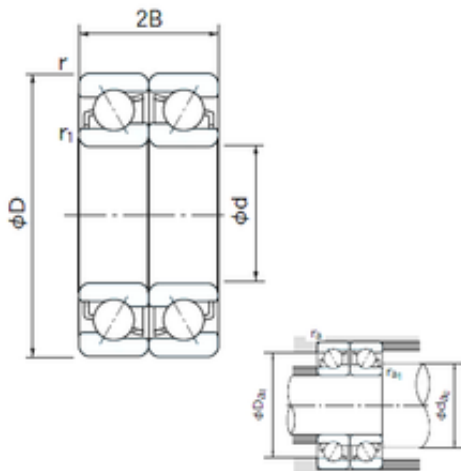




TRAB BEARINGS PRODUCTION EXPORT CO., LTD



7220CDF Bearing 2D drawings and 3D CAD models

100 mm x 180 mm x 34 mm NACHI 7220CDF
angular contact ball bearings

Bearing No. 7220CDF

Size	100x180x34 mm
Bore Diameter	100 mm
Outer Diameter	180 mm
Width	34 mm
d	100 mm
D	180 mm
B	34 mm
C	34 mm
Angle (°)	15 °
a -	0.8 mm
r min.	2.1 mm
r1 min.	1.1 mm
2B	68 mm
da min.	112 mm
Da max.	173 mm
ra max.	1 mm
Weight	3.32 Kg
Basic dynamic load rating (C)	244 kN
Basic static load rating (C0)	255 kN
(Grease) Lubrication Speed	4600 r/min
Bore Type	Cylindrical Bore
Enclosure	Open
Configuration	Duplex
Bore Size	100 mm
Outside Diameter	180 mm



TRAB BEARINGS PRODUCTION EXPORT CO., LTD

Width	34 mm
Fillet Radius/Chamfer	2.1 mm
r1	1.1 mm
Dynamic Load Rating	244,000 N
Static Load Rating	255,000 N
Limiting Speed - Grease	4,600 rpm
Limiting Speed - Oil	6,300 rpm
da1 (min)	112 mm
da2 (min)	112 mm
Da1 (max)	168 mm
Da2 (max)	173 mm
ra (max)	2 mm
ra1 (max)	1 mm